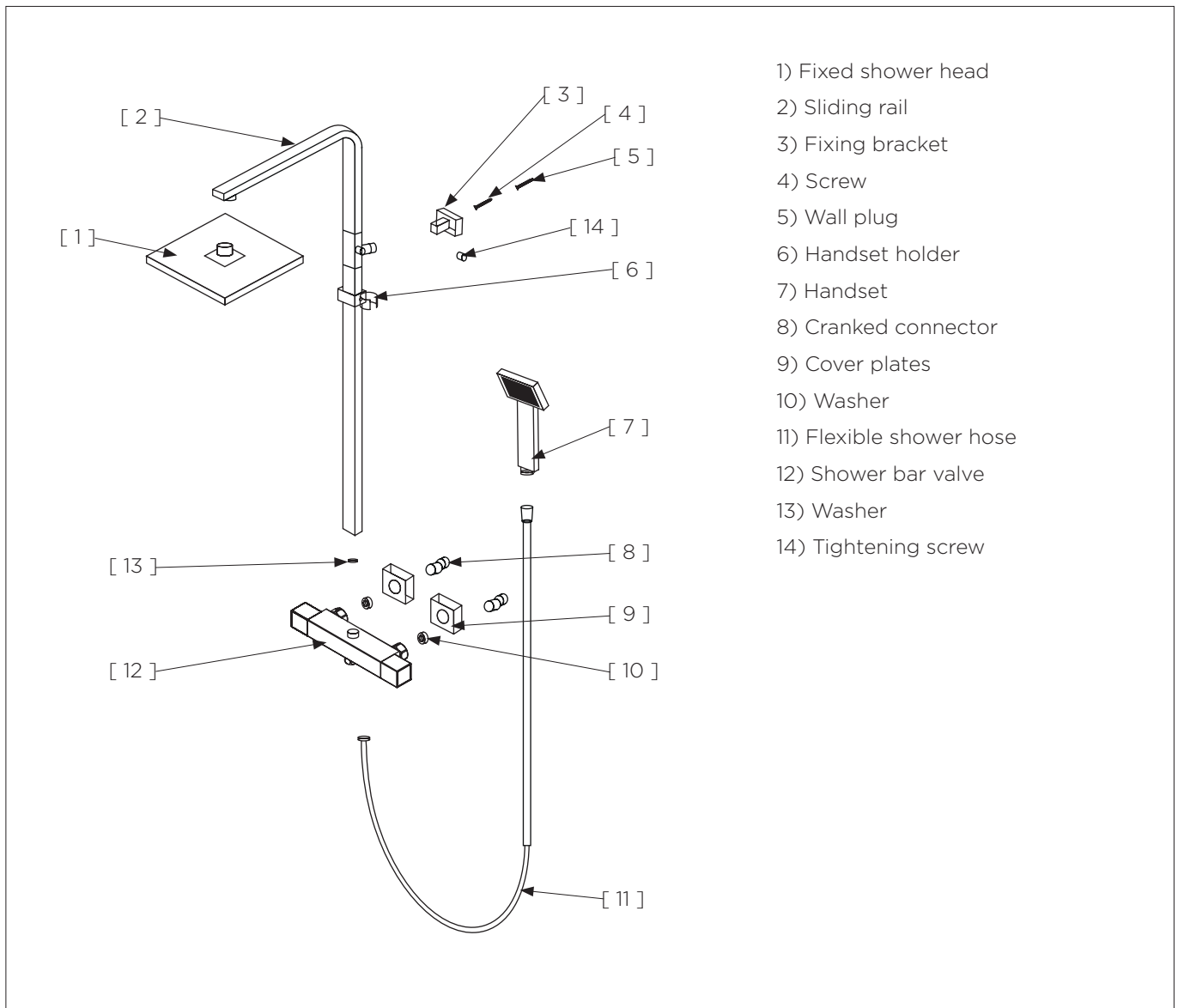


INTRODUCTION

The Model supplied may vary from the image shown below. Please note that the general installation process for all Shower Set fittings are the same and the following guide will take you through the process.

IMPORTANT

If you are unsure of any part of the instructions in this document then we recommend that you contact a reputable qualified trades person.



BEFORE INSTALLATION

- 1) Flush out pipework thoroughly to remove any debris.
- 2) Turn off the mains water supply before commencing work.
- 3) Identify all components and ensure there is no damage prior to starting the installation. No claims can be made after the product has been fitted.

INSTALLATION

- 1) Fit cranked connectors [8] to the water inlets in the wall.
- 2) Screw the cover plates [9] onto the cranked connectors until they come into contact with the wall.
Seal with suitable sealant.
- 3) Fix the connector of the shower bar valve [12] to the cranked connectors ensuring the hot inlet is on the left and cold inlet is on the right. Please use a cotton sheet inside the spanner when tightening the connectors to avoid scratching the surface.
- 4) Place the sliding rail assembly [2] in desired final position and measure the installation height of the shower set with tape. Mark the drilling positions for securing the fixing bracket [3] to the wall using a pencil.
- 5) Drill through marked positions on the wall then insert wall plugs into the wall holes.
- 6) Secure the fixing bracket [3] to the wall using screws.
- 7) Align the shower valve [12] and sliding rail assembly [2], tighten the nuts using an adjustable spanner.
- 8) Fit tightening screw [14] into the fixing bracket using an allen key.
Secure the top end of the sliding rail assembly [2] to the fixing bracket [3] on the wall.
- 9) Connect top shower head, shower hose and hand shower.
- 10) Check connections for watertightness.

Guarantee

The Lifetime Guarantee is only valid to customers who complete and submit the online Niagara® Guarantee Registration Form within 30 days of installation. Please note that products with finishes other than Chrome are guaranteed for 3 years only, these products must also be registered online to activate the 3 Year Guarantee.

To register and activate your Guarantee please visit www.niagarabathrooms.co.uk

Aftercare

During installation, extra care must be taken to avoid damaging the fitting or it's finish.

To maintain the appearance of the fitting, please ensure it is cleaned regularly using a clean soft damp cloth only. Do not use abrasive sponges, scouring agents, organic solvents or acidic cleaners as they may cause surface deterioration.