

9301BL ROUND SHOWER SET - BLACK

equate

PRODUCT SPECIFICATION

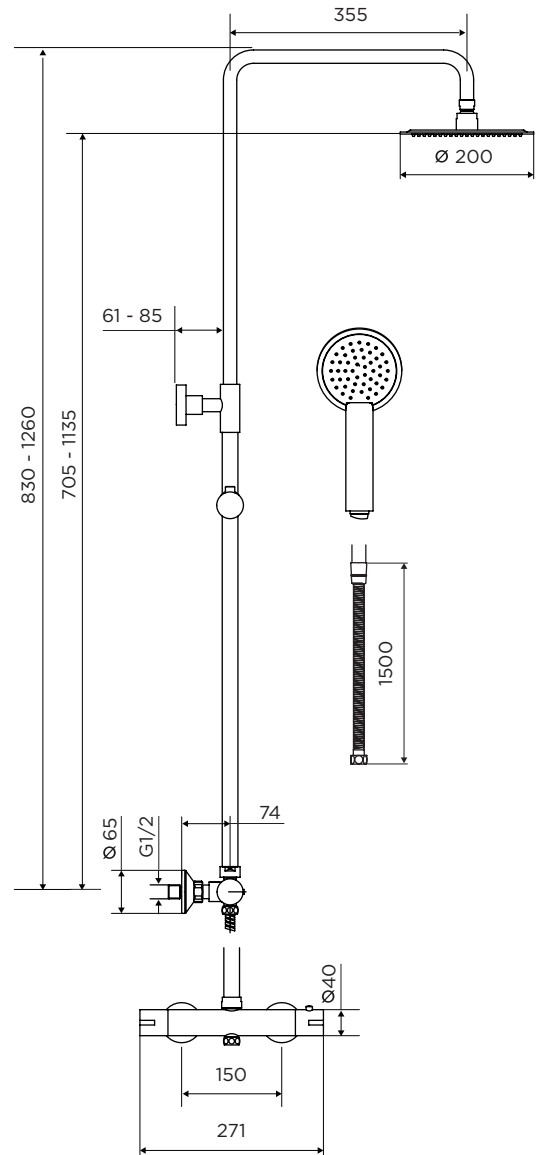
Product Code:	9301BL
Finish:	Matt Black
Product Type:	Contemporary Shower
Construction:	Body: Brass, Handles: ABS, Handset: ABS, Top Head: SS, Hose: SS
Cartridge Type:	Thermostatic cartridge and divertor
Inlet Connections:	3/4" BSP
Outlet Connections:	1/2" BSP
Fitting Dimensions:	150mm inlet centres
Gross Weight (kg):	3.8

ADDITIONAL INFORMATION

- Dual Control - flow and temperature are controlled separately giving accurate control of both.
- Thermostatic cartridge maintains showering temperature to +/- 2°C giving a stable outlet temperature.
- Built-in Diverter
- Automatic shut-off in the event of cold water supply failure, to prevent scalding.
- Temperature factory set to a 38°C to eliminate the ability to select an unsafe temperature without overriding.
- Supplied with a 1500mm hose, 200mm top shower head and multi-function handset.
- Electrophoretic deposition matt black finish
- 3 year guarantee



WRAS approval
on valve only



FLOW RATES (litres per minute)

0.5 Bar	1 Bar	3 Bar
7.6	10.7	18.7

WORKING PRESSURES (bar)

Min Pressure	Max Pressure	Best Performance
0.5	5	3

niagara