

9326 TRADITIONAL SHOWER VALVE

arlington

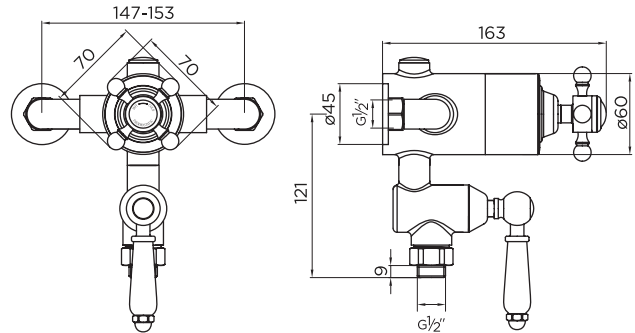
PRODUCT SPECIFICATION

Product Code:	9326
Finish:	Chrome
Product Type:	Exposed wall mounting shower
Cartridge Type:	Thermostatic cartridge and ceramic flow cartridge
Inlet Connections:	3/4"
Outlet Connections:	1/2"
Fitting Dimensions:	150mm centres
Construction:	Body: Brass Handles: Zinc
Gross Weight (kg):	2.344



ADDITIONAL INFORMATION

- Dual Control - flow and temperature are controlled separately giving accurate control of both.
- Thermostatic cartridge maintains showering temperature to +/- 2c giving a stable outlet temperature.
- Automatic shut-off in the event of cold water supply failure, to prevent scalding.
- Temperature factory set to a 42°C to eliminate the ability to select an unsafe temperature without overriding.
- Lifetime guarantee



FLOW RATES (litres per minute)

0.5 Bar	1 Bar	3 Bar
9.5	13.5	25

WORKING PRESSURES (bar)

Min Pressure	Max Pressure	Best Performance
0.5	10	3

niagara